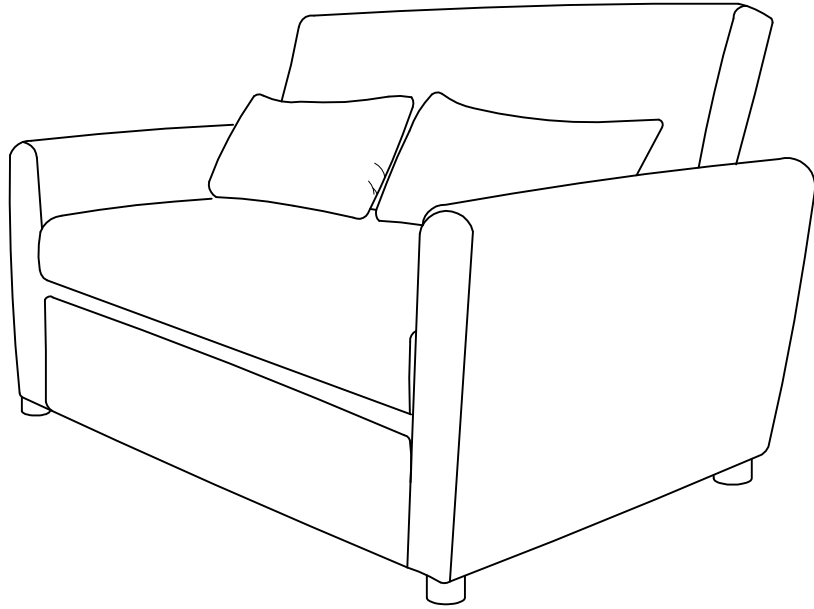
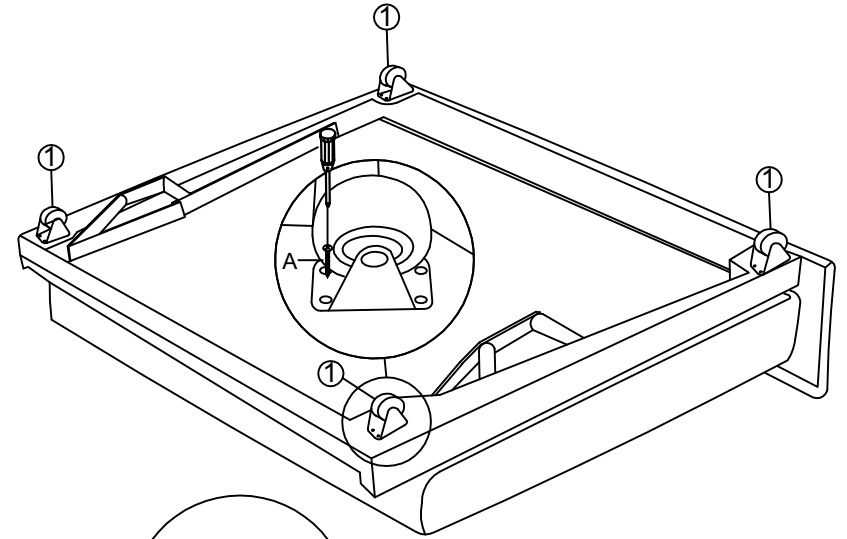


ASSEMBLY INSTRUCTION

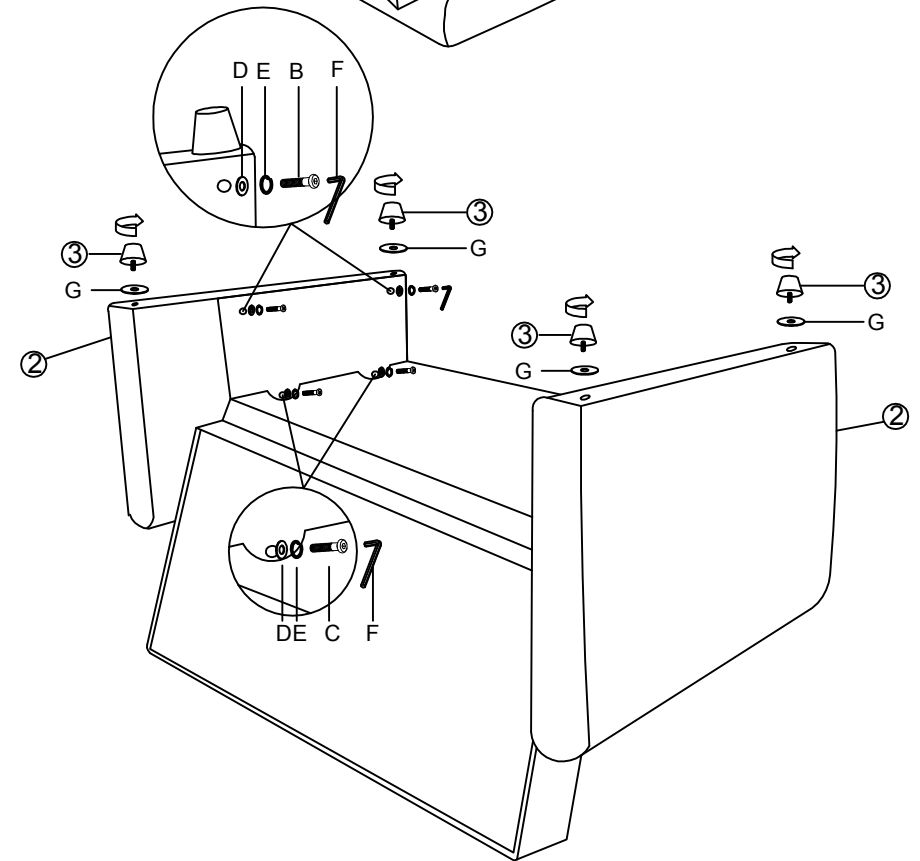


① 4PCS	② 2PCS	③ 4PCS		
A 20MM 16PCS	B M8*40mm 4PCS	C M8*80mm 4PCS	D (M8)8PCS	E (M8)8PCS
F (#5)1PC	G 4PCS	H 50mm 4PCS		

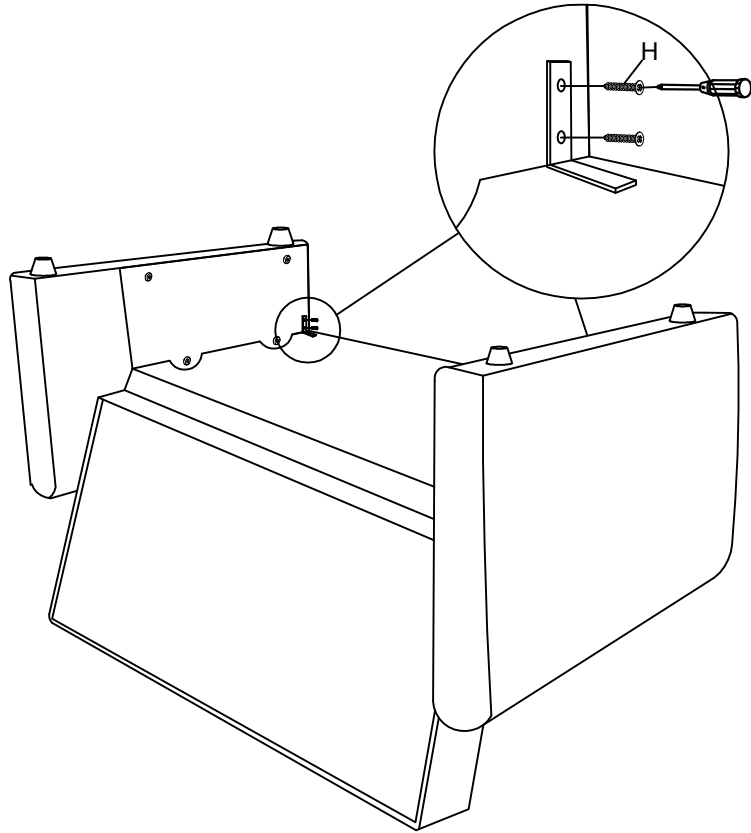
1



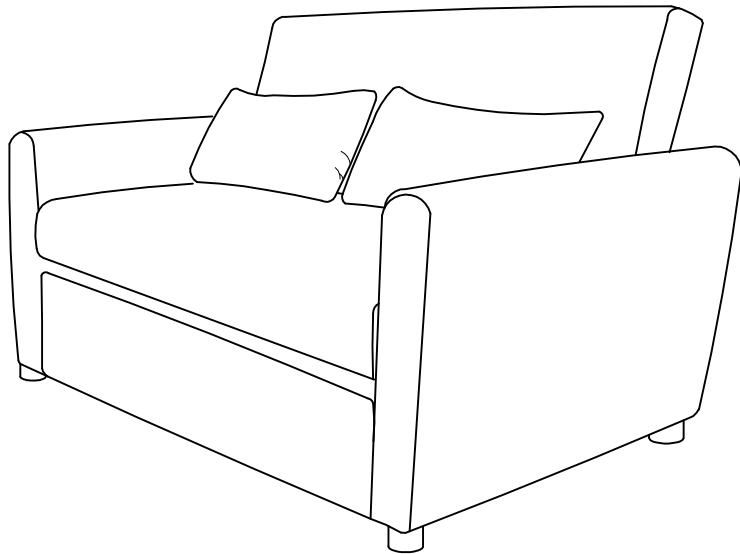
2



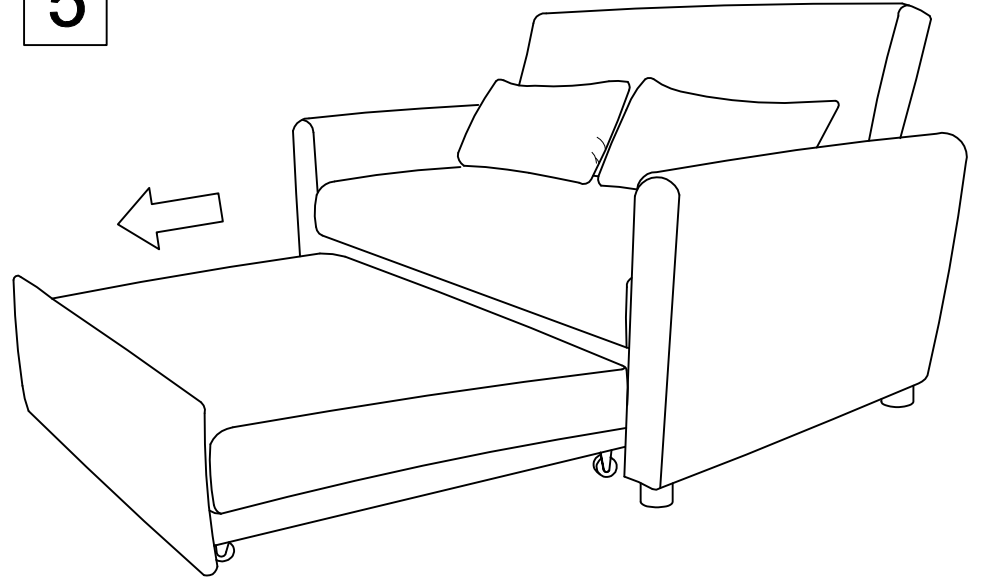
3



4



5



6

